

EngA®

ENGINEERED AIR®

**INSTALLATION, OPERATION
AND MAINTENANCE MANUAL
FOR
HER SERIES**

**DIRECT FIRED DESICCANT REGENERATION UNITS
INDOOR AND OUTDOOR MODELS**



UNIT MODEL NO. _____
UNIT SERIAL NO. _____
SERVICED BY: _____
TEL. NO: _____

**CANADIAN
HEAD OFFICE
AND FACTORY**

1401 HASTINGS CRES. SE
CALGARY, ALBERTA
T2G 4C8
Ph: (403) 287-4774
Fx: 888-364-2727

**USA
HEAD OFFICE
AND FACTORY**

32050 W. 83rd STREET
DESOTO, KANSAS
66018
Ph: (913) 583-3181
Fx: (913) 583-1406

**CANADIAN
FACTORY**

6130 97th STREET
EDMONTON, ALBERTA
T6E 3J4
Ph: (780) 430-0310
Fx: (780) 434-6272

**CANADIAN
EASTERN FACTORY**

1175 TWINNEY DRIVE
NEWMARKET, ONTARIO
L3Y 5V7
Ph: (905) 898-1114
Fx: (905) 898-7244

SALES OFFICES ACROSS CANADA AND USA

Retain instructions with unit and maintain in a legible condition.
Please give model number and serial number when contacting
factory for information and/or parts.

www.engineeredair.com

TABLE OF CONTENTS

YOU HAVE RESPONSIBILITIES TOO	3
INTRODUCTION	3
SAFETY PRECAUTIONS.....	3
WARRANTY	4
PARTS	5
RECEIVING	5
TEMPORARY STORAGE	5
CODES	6
MINIMUM CLEARANCE TO COMBUSTIBLES AND FOR SERVICE IN INCHES (mm)	7
LIFTING	7
MOUNTING	8
SHIPPING MATERIALS	9
ASSEMBLY.....	9
PIPING, ELECTRICAL OR CONTROL SERVICE CONNECTIONS.....	10
NATURAL GAS AND PROPANE INSTALLATION:	10
GAS LINE TESTING (EXTERNAL TO THE UNIT)	10
NON RECIRCULATING INSTALLATION REQUIREMENTS	11
INLET DUCTING	11
FIELD INSTALLED DAMPERS	11
HER WITH MIX BOX	12
ELECTRICAL INSTALLATION	12
Recommended 24V Field Wiring Size:.....	13
DUCT MOUNTED TE-6000-EA3 TEMPERATURE SENSOR	14
COIL CONNECTIONS.....	14
DRAIN TRAPS.....	14
FLUSHING AND DEGREASING OF WATER AND GLYCOL COILS.....	15
HEAT TRANSFER FLUIDS	15
BEFORE START-UP	16
START-UP CHECK LIST.....	16
OPERATION.....	17
SAFETY SHUTOFF VALVE LEAK TEST:.....	18
OPERATIONAL CHECK.....	19
CONTROL SETTINGS	20
MAINTENANCE.....	21
ELECTRICAL.....	21
BELT ADJUSTMENT.....	22
SET SCREWS	22
BEARING SETSCREW TORQUES	23
LUBRICATION OF FAN BEARINGS.....	23
LUBRICATION OF DODGE FAN BEARINGS	24
MOTOR LUBRICATION	26
GAS MANIFOLD.....	26
BURNERS	26
DESICCANT WHEEL	27
FILTERS	27
CONTROLS.....	27
CONTROL ENCLOSURE VENTILATION	27
OUTDOOR AIR INTAKES, MIXING SECTIONS AND DAMPERS	27
COILS	28

YOU HAVE RESPONSIBILITIES TOO

This installation, operation and maintenance manual can not cover every possibility, situation or eventuality. Regular service, cleaning and maintaining the equipment is necessary. If you are not capable of performing these tasks, hire a qualified service specialist. **Failure to perform these duties can cause property damage and/or harm to the building occupants and will void the manufacturers' warranty.**

INTRODUCTION

Engineered Air units are high quality products designed and manufactured to provide many years of trouble-free operation. We recommend that this manual be read thoroughly to ensure proper installation, efficient operation and proper maintenance of this equipment. The submittal record is considered to be part of the Installation, Operation and Maintenance Manual. Please report any omissions to the national service manager.

SAFETY PRECAUTIONS

Read, understand and follow the complete manual before beginning the installation, including all safety precautions and warnings.



WARNING:

FIRE OR EXPLOSION HAZARD

Failure to follow safety warnings exactly could result in serious injury, death or property damage.

Be sure to read and understand the installation, operation and service instructions in this manual.


Improper installation, adjustment, alteration, service or maintenance can cause serious injury, death or property damage.



— **Do not store or use gasoline or other flammable vapors and liquids in the vicinity of this or any other appliance.**

— WHAT TO DO IF YOU SMELL GAS

- **Do not try to light any appliance.**
- **Do not touch any electrical switch; do not use any phone in your building.**
- **Leave the building immediately.**
- **Immediately call your gas supplier from a phone remote from the building. Follow the gas supplier's instructions.**
- **If you cannot reach your gas supplier, call the fire department.**

— **Installation and service must be performed by a qualified installer, service agency or the gas supplier.**

Warning:  **Pool, laundry and common cleaning products often contain fluorine or chlorine compounds. When these chemicals pass through the heater, they can form strong acids. The acid can eat through the heat exchanger wall, causing serious damage and presenting a possible threat of flue gas spillage into the building.**

Warning: 
 **This unit is connected to high voltages. Electrical shock or death could occur if instructions are not followed. This equipment contains moving parts that can start unexpectedly. Injury or death could occur if instructions are not followed. All work should be performed by a qualified technician. Always disconnect and lock out power before servicing. DO NOT bypass any interlock or safety switches under any circumstances.**

WARRANTY

LIMITED WARRANTY ENGINEERED AIR will furnish without charge, F.O.B. factory, freight collect, replacement parts for, or repairs to products covered herein which prove defective in material or workmanship under normal and proper use for a period of twelve (12) months from the initial start-up or eighteen (18) months from the date of shipment, whichever expires sooner, provided the customer gives ENGINEERED AIR written notice of such defects within such time periods and provided that inspection by ENGINEERED AIR establishes the validity of the claim and all pertinent invoices have been paid in full. The repairs or replacements will be made only when the complete product(s) or part(s) claimed to be defective are returned to ENGINEERED AIR or a depot designated by ENGINEERED AIR, transportation charges prepaid. Repairs or replacements as provided for by this paragraph shall constitute fulfillment of all ENGINEERED AIR's obligations with respect to this warranty. The refrigerant charge is not included in any part of this warranty. This warranty does not apply to any products or parts thereof that have been subject to accident, misuse or unauthorized alterations, or where ENGINEERED AIR's installation and service requirements have not been met.

The foregoing warranty is in lieu of all other warranties, express or implied. ENGINEERED AIR specifically disclaims any implied warranty of merchantability and/or fitness for purpose. Under no circumstances shall ENGINEERED AIR be liable to, nor be required to indemnify, Buyer or any third parties for any claims, losses, labour, expenses or damages (including special, indirect, incidental, or consequential damages) of any kind, resulting from the performance (or lack thereof) of this Agreement or the use of, or inability to use the goods sold hereunder, including, but not limited to, damages for delay, temporary heating/cooling costs, loss of goodwill, loss of profits or loss of use. Furthermore, the parties agree that the Buyer's sole remedy under this Agreement shall be limited to the limited warranty set forth in the preceding paragraph relating to the repair or replacement of any defective goods. Under no circumstances shall any claim or award against ENGINEERED AIR exceed the original contract price whether awarded through arbitration, litigation or otherwise.

ENGINEERED AIR Warranty is void if:

1. The unit is not installed in accordance with this manual.
2. The start-up and operation of the unit is not performed in accordance with this manual.
3. The unit is operated in an atmosphere containing corrosive substances.
4. The unit is allowed to operate during building construction.
5. The unit is allowed to operate in atmospheres where chlorine or chlorine compounds are present or which contain any contaminant (silicone, aluminum oxide etc.) that adheres to the spark ignition flame sensing probe.

PARTS

Warning: Any replacement part must be of equivalent listing or certification and be functionally equivalent. The replacement part must meet the original's specification in terms of functionality including certifications, timing, input and output range, accuracy and operation.

Failure to replace parts or components with equivalent parts can cause property damage, injury or death.



1. Motors:
Motor manufacturers have service centers that will repair or replace motors as required.
2. Parts Other Than Motors:
Contact the nearest Engineered Air sales office or factory. Be sure to include Model Number, Serial Number, date of installation and nature of failure along with the description of the parts required. Some parts may not be stocked items that must be made or ordered.

RECEIVING

Refer to the back of the packing slip for receiving unit instructions.

On receipt of the unit, check for damage. Inspect protective covers for punctures or other signs that there may be internal damage. Remove protective covers and check for internal damage. Replace covers if the unit is not being assembled or installed at this time. Open access doors and check for internal damage. Close access doors when the inspection is complete.

All units are pre-tested at the factory immediately prior to shipping and are ensured to be in good operating condition at that time. If damage is found follow the instructions on the packing slip.

On receipt of the unit, check electrical characteristics (see rating plate) to make sure the unit voltage is compatible with that available for the unit. All parts for field installation are listed on the shipping order form.



TEMPORARY STORAGE

If a unit is to be stored prior to installation the following precautions are required:

- Store in a well drained area that will not accumulate surface water.
- Store in an area where the unit will not get damaged.
- The entire perimeter and any full height cross members of the unit must be supported by a level surface and the supporting surface must be adequate for supporting the entire weight of the unit.
- All protective coverings that were provided for shipping must be in place.
- Protect indoor units from rain and snow.

INSTALLATION

Warning: Only equipment bearing a CSA C22.2 No. 213 or UL 1604 rating plate (label) with an accompanying CSA Certification mark is suitable for installation in a hazardous location. The hazardous location must conform with the Class, Division, Group and temperature code (if shown) displayed on the rating plate (label).

If not marked as noted above, the unit is not rated for hazardous locations and should not be installed in areas requiring any hazardous location rating.

Caution:

 All wiring, piping and fuel line installation must be completed by qualified persons in accordance with all federal, state, provincial and/or local codes.

Note: Installation shall be in accordance with this manual and all other associated component and control Installation, Operation and Maintenance Manuals.

CODESIn Canada:

1. The installation of this unit shall be in accordance with the latest edition of the Canadian Electrical Code, Part 1 – C.S.A. Standard C22.1, Provincial and Local Codes, and in accordance with the local authorities having jurisdiction.
2. This unit shall be electrically grounded in accordance with the latest edition of the Canadian Electrical Code, Part 1 – C.S.A. Standard C22.1, Provincial and Local Codes, and in accordance with the local authorities having jurisdiction.
3. The installation of this unit shall be in accordance with the latest edition of the Canadian Natural Gas and Propane Installation Code, C.S.A. Standard B149.1, Provincial and Local Codes, and in accordance with the local authorities having jurisdiction.
4. In accordance with local authorities having jurisdiction or CSA. Standard B149.1 a readily accessible approved manual shut-off valve shall be installed in either the drop or riser as close as possible to the valve train (gas manifold).
5. The installation of this unit shall be in accordance with the latest edition of the National Plumbing Code of Canada, Provincial and Local Codes, and in accordance with the local authorities having jurisdiction.
6. The installation of this unit shall be in accordance with all other National, Provincial and Local Codes, and in accordance with the local authorities having jurisdiction.

In USA:

1. The installation of this unit shall be in accordance with the latest edition of the National Electrical Code (ANSI/NFPA 70), State and Local Codes and in accordance with the local authorities having jurisdiction.

2. This unit shall be electrically grounded in accordance with the latest edition of the National Electrical Code (ANSI/NFPA 70), State and Local Codes and in accordance with the local authorities having jurisdiction.
3. If the unit has not been provided with an electric disconnect switch, one of adequate ampacity shall be installed in accordance with Article 430 of the National Electrical Code (ANSI/NFPA 70).
4. The installation of this unit shall be in accordance with the latest edition of the National Fuel Gas Code ANSI/Z223.1/NFPA 54, State and Local Codes and in accordance with the local authorities having jurisdiction.
5. In accordance with local authorities having jurisdiction or NFPA 54 an accessible approved manual shutoff valve shall be installed within 6 ft (1.8 m) of the valve train (gas manifold).
6. The installation of this unit shall be in accordance with the latest edition of the National Standard Plumbing Code (NSPC), State and Local Codes and in accordance with the local authorities having jurisdiction.
7. The installation of this unit shall be in accordance with all other National, State and Local Codes, and in accordance with the local authorities having jurisdiction.

MINIMUM CLEARANCE TO COMBUSTIBLES AND FOR SERVICE IN INCHES (mm)

MODEL	COMBUSTIBLE CLEARANCE					SERVICE CLEARANCE	
	TOP	FRONT	BACK	SIDE	BOTTOM	SERVICE SIDE	CONTROL PANEL †
DIRECT FIRED GAS HEAT	1" (25)	1" (25)	1" (25)	1" (25)	0	24" (610)	42" (1067)
FLUID COILS & RECOVERY DEVICES	1" (25)	1" (25)	1" (25)	1" (25)	0	UNIT WIDTH	42" (1067)
ELECTRIC HEAT	1" (25)	1" (25)	6" (152)	1" (25)	0	UNIT WIDTH + 10" (254)	42" (1067)
OTHER UNITS	1" (25)	1" (25)	1" (25)	1" (25)	0	24" (610)	42" (1067)

† - As required by the Canadian Electrical Code or the National Electrical Code. For Safety and Service, the minimum clearances must be observed.

LIFTING

Engineered Air units are constructed on a structural steel base frame. The unit base frame is equipped with lifting lugs specifically located to facilitate proper lifting of the unit. Spreader bars must be used to keep rigging away from the unit cabinetry. All lifting lugs must be used. If using a lift truck, **ONLY** lift using the perimeter structural frame. **DO NOT** allow forks to lift on cabinet or unit floor.

Note: There may be bottom mounted components, such as drain piping, that can be easily damaged.

<p>Warning:</p>	<p>Injury or death can result from improper rigging and lifting. Rigging and lifting of equipment must be performed by qualified personnel with proper equipment using appropriate and approved safety precautions.</p>
------------------------	--

MOUNTING

Units must be mounted level. Failure to do so can cause water to be trapped in drain pans or operational problems that can void warranty. Failure to do so can result in injury or death, damage the equipment and/or building and can be a cause of poor indoor air quality.

Equipment must be installed so that sufficient working clearance and component access is provided. Some units are designed for cantilevered installation. Consult the Submittal Record for specific unit mounting.

Consult the Submittal Record for specific unit mounting. Engineered Air units are constructed for three types of mounting:

1. Base mounting – Consult the Submittal Record for type of mounting. Unless the unit is specifically designed for point or other mounting, the base of the unit must be supported continuously by a mounting support system that is directly below the unit structural base frame and runs the entire length and width of the unit. Refer to the Submittal Record for mounting information. Units 100” (2500mm) wide and under can be supported on each side continuously along the length of the unit. As a minimum, sleepers that are installed perpendicular to the length of the unit must be continuous across the width of the unit and shall be installed at the end lifting point base rails and the lesser of 80” (2000mm) on center or at all lifting points.
2. Suspended mounting – Where units have been designed for suspended mounting, factory provided connections for hanger rods will be provided. All hanger rod supports must be used. Suspended units must be protected from damage. When installed in aircraft hangers, parking garages or repair garages the installation must comply where applicable with:
 - a) The Canadian Natural Gas and Propane Installation Code, C.S.A. Standard B149.1
 - b) The Standard on Aircraft Hangers, ANSI/NFPA 409
 - c) The Standard on Parking Garages, ANSI/NFPA 88A
 - d) The Standard on Repair Garages, ANSI/NFPA 88B
3. Roof curb mounting – The curbs are constructed of heavy gauge load bearing, galvanized steel, and must be fully insulated after installation. Wood nailer strips are provided for easy attachment of roof flashing. Gasket material is supplied with the unit and must be field mounted on the curb to seal the joint between the curb and the unit frame. The curb must be supported along its entire perimeter and any full height cross members as shown on the shop drawings. Point loading of curbs is not permissible.

The gasket material provided for the curb is closed cell foam. Closed cell foam is dense and does not compress easily. If the unit is split and shipped in sections there will also be gasket material for sealing between sections. The gasket material for splits is open cell foam. It is less dense than the closed cell foam and compresses easily.

ONLY USE THE CLOSED CELL FOAM GASKET PROVIDED FOR SEALING THE CURB.

Curbs may be broken down for shipping. Field assembly is required by the installing contractor. Bolt all sections together at split joints using hardware provided. The installing contractor must caulk and seal all joint and corner flashings. All flashings and braces that are provided must be installed. **DO NOT** screw/penetrate joint, corner or adaptor flashings. Refer to assembly instructions sent with roof curb.

SHIPPING MATERIALS

Remove shipping materials. Shipping materials may include, but are not limited to:

- Protective covers over openings, inlets, condenser coils etc.
- Protective covers over split sections if provided.
- Tie-down bolts, straps and blocks on fan and compressor vibration isolators.
- Tie-down bolts, straps and blocks on tilt equipped heat pipes and enthalpy/desiccant wheels if supplied.

ASSEMBLY

Warning: **Assembly of split units requires bolting together the base frame of adjacent sections. This may require personnel to work under the unit during assembly. Injury or death can result from improper support or improper loading of the curb. Additional temporary support shall be provided by the installer for the safety of personnel.**



If the unit is split and shipped in sections, the sections must be field assembled. All sections are pre-drilled for assembly. The hardware and gaskets are packed in one of the sections. Apply the gasket, align the sections. The base frame must be bolted together first. Access below the unit for bolting of the base frame must be provided. Once the base frame has been tightly fastened, loosely assemble all the bolts and nuts, and then tighten. Caulk all split lines. Install split joint caps. The inlet hood is designed for field installation. On outdoor units connect the hood to the support flange and attach with appropriate fasteners. Connect all wiring on units that had been split for shipment.

The gasket material provided for the split is open cell foam. Open cell foam is light and compresses easily. If the unit is mounted on a curb provided by Engineered Air there will also be gasket material for sealing the curb. The gasket material for curbs is closed cell foam. It is more dense than open cell foam and does not compress as easily.

ONLY USE THE OPEN CELL FOAM GASKET PROVIDED FOR SEALING THE SPLIT(S).

Split unit wiring

All split wiring must be completed by an electrician prior to starting the equipment. A number of different methods are used to reconnect the wiring.

Power wire: this wiring is generally not broken or spliced, and will extend from the device back to the contactor or terminal block inside the electrical panel(s). The wire will be tagged to identify which panel it extends to and will be numbered to the corresponding connection.

The location of the equipment split line may result in the wire being disconnected at the device it is feeding. The wire bundle will be tagged and identified. Confirm correct rotation of 3 phase devices after the wiring connections has been completed.

Control wire: this wire is typically broken near the split line, to be reconnected at either a enclosed terminal block, junction box or extended to a nearby control panel. Each wire or wire bundle will be tagged and numbered to indicate the location it is sent to.

Sensor wire shield: The drain wire from the shield must be grounded (at one end only). A ground connection point is available for connection at the point of termination.

All loose wiring must be securely fastened to the equipment casing upon completion.

PIPING, ELECTRICAL OR CONTROL SERVICE CONNECTIONS

DO NOT install anything that will interfere with equipment access or the rating plate.

Engineered Air equipment is constructed with cabinet and floors designed to prevent water from entering the building through the installed unit. When ordered, factory installed pipe chases and/or electrical chases are built into the unit floor. Factory chases are provided with covers that need to be replaced and sealed after piping and electrical connections are made.

THE FLOOR OF THE UNIT HAS BEEN MADE WATER-RESISTANT. DO NOT CUT OR DRILL HOLES IN THE FLOOR OR USE PENETRATING FASTENERS.

All penetrations through the unit walls must be caulked and sealed to prevent air and/or water from entering the unit.

NATURAL GAS AND PROPANE INSTALLATION:

1. Installation must be made in accordance with the requirements of the authorities having jurisdiction.
2. Check the unit rating plate and confirm fuel type, supply pressure, input rating and temperature rise.
3. Refer to the heater rating plate for determining the minimum gas supply pressure for obtaining the maximum gas capacity for which this heater is specified.
4. Gas supply pressure higher than the unit rating plate requires an additional field supplied gas regulator.
5. Install an approved appliance shutoff valve on the gas supply in accordance with the requirements of the authorities having jurisdiction.
6. Gas lines shall not interfere with unit access. The gas line connection at the heater shall have an approved drip leg with screwed cap.
7. A minimum 1/8 inch NPT plugged tapping, accessible for test gauge connection, must be installed immediately upstream of the gas supply connection to the unit.

On indoor units any control device (regulator, diaphragm valve, high and low pressure switch, etc.) that requires a bleed or vent line, must be vented in accordance with applicable codes.

GAS LINE TESTING (EXTERNAL TO THE UNIT)

The appliance and its individual shutoff valve must be disconnected from the gas supply piping system during any testing of that system at test pressures in excess of 0.5 psi (3.5 kPa).

The appliance must be isolated from the gas supply system by closing its individual shutoff valve during any testing of that system at test pressure equal to or less than 0.5 psi (3.5 kPa).

NON RECIRCULATING INSTALLATION REQUIREMENTS

The outside air intake of the Direct Fired Desiccant Regeneration unit shall be located in accordance with local building code provisions for ventilation air. Notwithstanding those requirements the intake should be located as far as possible away from any exhaust discharge, plumbing vent or other source of contaminants in order to prevent the induction of contaminants.

The outside air intake of the Direct Fired Desiccant Regeneration unit shall not be located within 20 ft (6 m) horizontally of the vertical plane in which combustible gas, vapor or dust is present.

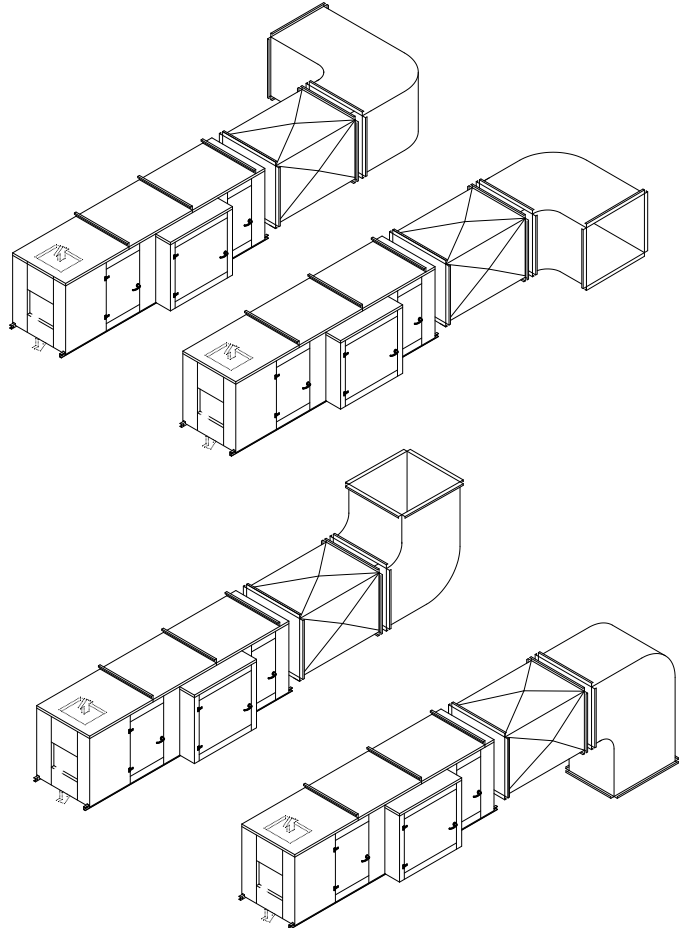
This equipment shall be installed so that in the event the Direct Fired Desiccant Regeneration shut down causes a hazard to other fuel burning equipment in the building, the unit shall be interlocked to open balancing inlet air dampers or equivalent.

INLET DUCTING

Units with ducted outside air inlet shall have straight duct directly attached to the unit of a length at least $1\frac{1}{2}$ times the unit height or 2 times the unit width, which ever is greater.

Field constructed intake accessories should be properly designed to minimize the entry of snow and rain.

If there is doubt about the installation of this product with respect to the application, contact Engineered Air.



FIELD INSTALLED DAMPERS

At times it is desirable to have a damper external to the unit. In some cases the operation of these dampers may cause a “gas trap”, which is a volume of air trapped within the unit between damper sections. In this case a pre-purge cycle shall be used to provide at least four air changes in the ducting before an ignition attempt.

Where external dampers of any kind are used, the Direct Fired Desiccant Regeneration unit shall be electrically interlocked with the dampers in such a way as to prevent ignition attempt unless the dampers are fully open.

HER WITH MIX BOX

Regeneration air may be drawn from the space being served by the process air stream of this unit. Use of regeneration air from this space may be hazardous in the presence of:


- A. Flammable solids, liquids, and gases and
- B. Explosive material (i.e.: grain dust, coal dust, gunpowder, etc.) and
- C. Substances which may become toxic when exposed to heat (i.e.: refrigerants, aerosols, etc.)


The ventilation air (outside air) shall be ducted directly to the heater. The outside air intake shall not be located within 20 ft (6 m) horizontally of the vertical plane in which combustible gas, vapor or dust is present.

ELECTRICAL INSTALLATION

DO NOT install anything that will interfere with equipment access or the rating plate.

The unit must be electrically grounded and all wiring must be installed in accordance with the National Electrical Code, ANSI/NFPA 70, and/or the Canadian Electric Code CSA 22-1 and to the approval of the authorities having jurisdiction. **THE FLOOR OF THE UNIT HAS BEEN MADE WATER-RESISTANT. DO NOT CUT OR DRILL HOLES IN THE FLOOR OR USE PENETRATING FASTENERS.** Field wiring diagrams, internal wiring diagrams and operating functions are included in the control cabinet. The power requirements are indicated on the rating plate. Where field wiring of control circuits is required, take care to size the field wiring for a maximum 10% voltage drop. The control circuit ampacity is noted on the field wiring diagram. See the field wiring diagram for requirements for shielded or twisted pair wire for solid state devices.

Caution: 	Temporary Power Generation The warranty will be void if the voltage being fed from any temporary generator is not within 10% of the nominal rated nameplate voltage and voltage imbalance shall be limited to 2%. A power monitor shall be installed by others to properly monitor power quality and conditions. All generator sets shall be provided with overcurrent and earth-fault protection. The protective apparatus should be capable of interrupting, without damage, any short-circuit current that may occur.
--	---

Warning: 	No unspecified external load shall be added to the control transformer circuit(s) or to the main power circuit(s).
--	---

Recommended 24V Field Wiring Size:

Copper conductors only

Circuit Load (Amps) (1)	Maximum Total Length of Run									
	< 50 Ft (~ 15 m)	< 100 Ft (~ 30 m)	< 150 Ft (~ 45 m)	< 200 Ft (~ 60 m)	< 250 Ft (~ 75 m)	< 300 Ft (~ 90 m)	< 350 Ft (~ 105 m)	< 400 Ft (~ 120 m)	< 450 Ft (~ 135 m)	< 500 Ft (~ 150 m)
1	16 AWG	16 AWG	16 AWG	16 AWG	16 AWG	16 AWG	14 AWG	14 AWG	14 AWG	12 AWG
2	16 AWG	16 AWG	16 AWG	14 AWG	12 AWG	12 AWG	12 AWG	10 AWG	10 AWG	10 AWG
3	16 AWG	16 AWG	14 AWG	12 AWG	12 AWG	10 AWG	10 AWG	10 AWG		
4	16 AWG	14 AWG	12 AWG	10 AWG	10 AWG	10 AWG				
5	16 AWG	12 AWG	12 AWG	10 AWG						
6	16 AWG	12 AWG	10 AWG	10 AWG						
7	14 AWG	12 AWG	10 AWG							
8	14 AWG	10 AWG	10 AWG							
9	14 AWG	10 AWG								
10	12 AWG	10 AWG								
11	12 AWG	10 AWG								
12	12 AWG	10 AWG								
13	12 AWG									
14	12 AWG									
15	12 AWG									

Notes:

- 1) The field wiring load depends on the actual load on a particular control circuit the field wiring is connected to. Refer to the internal wiring diagram of the unit.
- 2) The table above is based on a maximum 10% voltage drop on a 24V control circuit. Wire size was calculated using the following formula:

$$CM = (25 \times I \times L) / V$$

Where **CM** is circular mils of conductor for a constant load of **I** amps, wire length **L** in feet from the unit to the field device and back, and voltage drop **V**.

When connecting to a three phase power supply, check for the correct rotation of all motors and fans. If the rotation is incorrect, reverse the rotation at the incoming power only. All electrical conduit outlets in the control panel must be sealed to prevent moist building air from migrating to the control panel.

All penetrations through the unit walls must be caulked and sealed to prevent air and/or water from entering the unit.

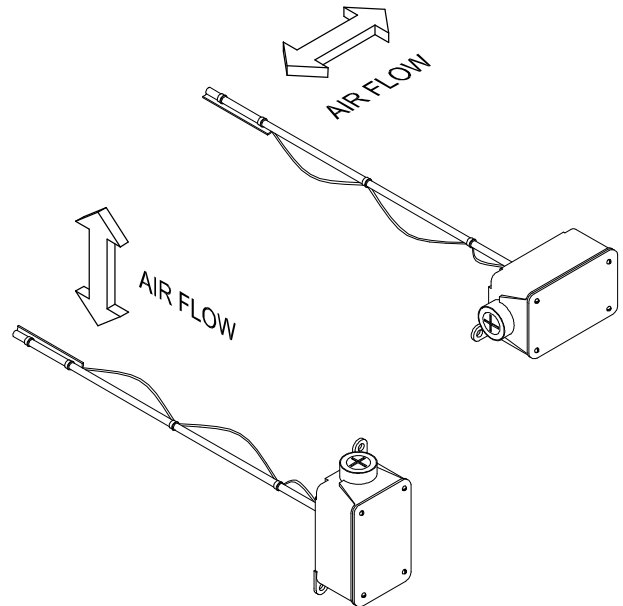
DUCT MOUNTED TE-6000-EA3 TEMPERATURE SENSOR

Some applications require field installed discharge air sensors.

The sensor strip must be parallel to the air flow. The sensor should be mounted near the center of a straight duct 5 to 10 feet (1500 to 3000mm) downstream of the supply air connection to the Engineered Air unit. Avoid installing near duct transitions or elbows.

Use twisted pair or shielded wiring. The ground shield should be grounded only at the unit control panel end. Protect the opposite end ground and any unused wire with electrical tape.

When installing an Engineered Air TE-6000-EA3 duct mounted temperature sensor, the sensor strip must be parallel to the air flow as shown.



COIL CONNECTIONS

This equipment may require field connection of water, steam or refrigerant coils. For proper operation airflow must be counterflow to the flow of the fluid. The inlet water connection is normally at the bottom of one header and the outlet water connection at the top of the other header. The steam connection is at the middle of the supply header and the condensate is at the bottom of the other header.

Caution:



Use a backup wrench on threaded coil connections when installing piping.

For refrigerant coils, all piping is to be installed by a qualified refrigeration mechanic. All refrigeration specialties shall be installed using good refrigeration installation and design practices.

Recovery, reuse, recycling, reclamation, and safe disposal of refrigerant is the only acceptable practice today. Venting of refrigerant into the atmosphere during installation or servicing is unacceptable. To avoid damage, use an accepted refrigerant recovery system whenever removing refrigerant. When working with refrigerants you must comply with all local government safety and environmental laws.

DRAIN TRAPS

Each drain connection requires a separate drain trap supplied and installed by the contractor. For a trap to work properly, it must be primed. During freezing periods, primed traps may need to be heat traced or drain and plug the trap when not in use. If a drain connection has a smaller pipe inside, connect to the outer pipe only. Ensure that the trap is of adequate depth to operate against a static that includes the extra pressure drop for dirty filters.

Warning:



Failure to properly trap each connection can result in drain pan flooding, standing water in unit, building damage, injury or death, cause poor air quality or other problems.

In some applications (e.g. heat recovery units) there may be additional drain connections inside the curb intended to be connected to the building drainage system. These drains must be connected and properly trapped.

Cooling coil drain pans may have multiple drain connections extending outside the unit casing. Multiple drains may be connected to a common drain providing that each drain is individually trapped and vented to avoid problems from drains in different pressure zones. The drain must be properly sized and sloped.

Size drain trap with the following minimum requirements:

a) Units With Draw Through Drain Pans:

$$H1 = \text{Negative Static}^\dagger \times 1.5 + 3.5'' \text{ (89mm)}$$

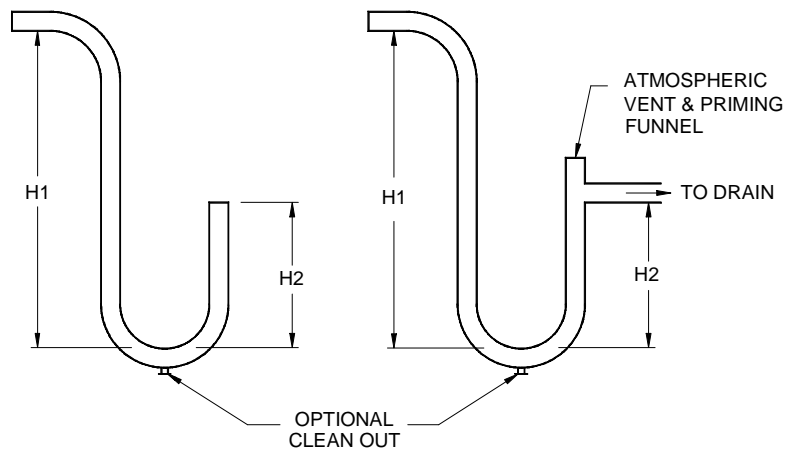
$$H2 = \text{Negative Static}^\dagger \times 0.75 + 2.5'' \text{ (64mm)}$$

b) Units With Blow Through Drain Pans:

$$H2 = \text{Maximum Positive Static}^\dagger \times 1.5$$

$$H1 = H2 + 0.5'' \text{ (13mm)}$$

† Static Water Column (WC) in inches or mm including fully loaded filters.



Ensure adequate clearance for properly sized drain traps.

FLUSHING AND DEGREASING OF WATER AND GLYCOL COILS

Coil tubing may contain material or residue from manufacturing, transportation or storage. To prevent possible damage to other components in the system, the coils must be flushed and degreased. Consult a qualified water treatment specialist.

HEAT TRANSFER FLUIDS

The coil(s) provided have been selected for use with a specific heat transfer fluid as shown on the Submittal Record. Use of other fluids will result in different performance and can damage the coil(s).

It is imperative to properly select and apply heat transfer fluids used in heating and cooling systems. Untreated, improperly treated or improper use of fluids or use of fluids not approved for use in commercial heating and cooling systems can damage coils and system components. For selection and application of heat transfer fluids, always follow the manufacturers' recommendations including treatment, mixing and filling. Warranty will be void if coil damage results from misapplication or improper treatment of the heat transfer fluid.

Some systems may use CPVC piping. Do not use propylene glycol with CPVC.

BEFORE START-UP

Remove tie-down bolts, straps and blocks on fan and compressor vibration isolators, tilt equipped heat pipes and enthalpy/desiccant wheels if supplied.

START-UP CHECK LIST

Warning: This unit is connected to high voltages. Electrical shock or death could occur if instructions are not followed. This equipment contains moving parts that can start unexpectedly. Injury or death could occur if instructions are not followed. All work should be performed by a qualified technician. Always disconnect and lock out power before servicing. DO NOT bypass any interlock or safety switches under any circumstances.



The start-up and operation must be in accordance with safe practices. Start-up must be performed by qualified personnel. Complete attached start-up record.

1. Set all associated electrical switches, controls, thermostats and main disconnect switch to “OFF” position.
2. Close all manual valves and field piping valves.
3. Confirm that all shipping materials have been removed. See any supplemental instructions shipped with the unit to help identify possible locations.

Check all bearings, drive and fan set screws for tightness. See TABLE I

4. Check drive alignment and belt tension. Refer to Maintenance, page 21.
5. Inspect all electrical wiring, both field and factory installed, for loose connections. Ensure fire alarm contact is installed, or jumpered if not required.
6. Turn disconnect switch ON (control switch is still off) and check the supply voltage. Voltage must be within 10% of rating plate. If not, contact the installing electrical contractor and have the voltage condition corrected before continuing start-up.
7. Check all fan motors for correct rotation. If incorrect, reverse rotation on incoming power only.
8. Set thermostat or controller to the “OFF” position and turn unit control switch “ON”.
9. Check the amperage draw of each motor and compressor. Refer to unit or motor rating plate for full load amps. At the unit, check and record the voltage while it is running. For 3 phase power the phase to phase voltage imbalance should be less than 2%. A 2% voltage imbalance can cause up to a 10% current imbalance that will overheat motor windings.

To calculate voltage imbalance (NEMA method) refer to the following example:

Phase to phase voltage readings:	235V	236V	230V
The average Voltage between legs is	$(235+236+230)/3$		
Highest voltage deviation from average is:	$233.7V - 230V = 3.7V$		
Voltage imbalance percentage =	Highest deviation divided by average X 100		

$3.7 / 233.7 \times 100 = 1.6\%$ This imbalance is less than 2% and therefore is OK

If voltage imbalance is greater than two percent (2%), turn off main disconnect and contact the installing electrical contractor to have the voltage condition corrected.

10. Enable heating and/or cooling; refer to unit function for correct sequence and operation.
11. Confirm field wiring voltage drop is less than 10% when equipment is operating.
12. For the unit to operate properly a system air balance must be performed to ensure correct air flow. Failure to do so can damage the equipment and/or building and can be a cause of poor indoor air quality.
13. Some units are equipped with an adjustable coil air bypass. This must be field adjusted during the system air balance to ensure proper air flow across the coil. Adjust the bypass to achieve coil pressure drop as stated on the submittal and/or the unit function sheet.
14. **Set all controls to the settings indicated on the wiring diagram.**
15. Re-install all access panels.
16. Remove any packing material or debris and dispose appropriately.

Review the start-up requirements, if any, in the desiccant wheel manual provided under separate cover.

OPERATION

Warning: This unit is connected to high voltages. Electrical shock or death could occur if instructions are not followed. This equipment contains moving parts that can start unexpectedly. Injury or death could occur if instructions are not followed. All work should be performed by a qualified technician. Always disconnect and lock out power before servicing. **DO NOT** bypass any interlock or safety switches under any circumstances.



Warning: Proper commissioning and start-up of the air handling system is the responsibility of the installing contractor. It is recommended that an air balance be completed by a certified air balancing contractor to insure the air volume being delivered matches the unit rating plate. Failure to perform a proper air balance can cause injury or death, damage to the equipment, property damage, system operational problems, or be a cause of poor air quality. Moisture carry over can result from improper air flow.



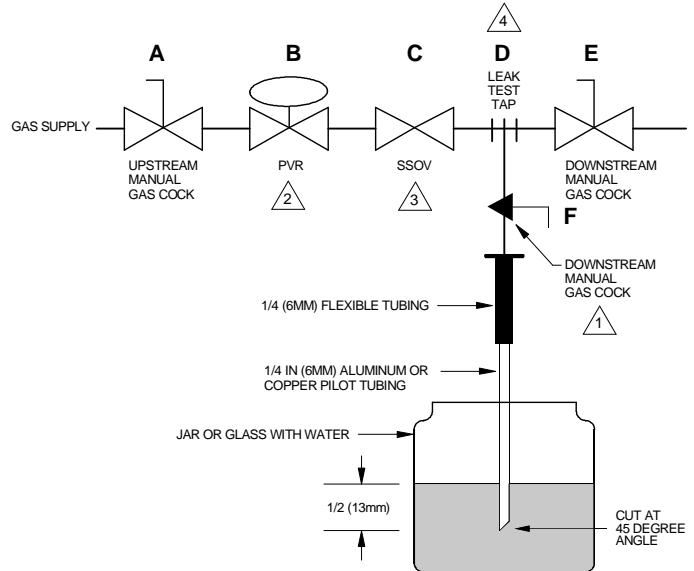
This unit may incorporate one or more functions and a variety of controls and options to suit individual requirements. A description of the unit functions and options is shown on the Electrical Data Sheet and unit wiring diagram. Carefully check your wiring diagram to verify that all remote controls are properly located and correctly field wired.

Some equipment may contain programmable unitary controllers or programmable logic controllers (PLC). Additional information can be obtained from the specific programmable control manufacturer. Often this information is available from the control manufacturer's website.

SAFETY SHUTOFF VALVE LEAK TEST:

Safety shutoff valves require a qualified technician to perform a leak (bubble) test to determine tightness of closure on a least an annual basis. A very small amount of leakage is normal. Valve leakage rates exceeding those noted in the table below require repair or valve replacement.

1. De-energize the control system.
2. Close the upstream manual gas valve.
3. Connect a 1/4" (6mm) tube to the outlet pressure tap on the safety shutoff valve.
4. Immerse the opposite end of the 1/4" (6mm) tube (cut to a 45° angle) vertically 1/2" (13mm) into a clear container of water.
5. Count the number of bubbles appearing during a 10 second period.
6. If the bubble rate is greater than that noted in the table repair or replace the valve.
7. If bubble rate is less than noted in the table, remove the 1/4" (6mm) tube, reconnect the outlet pressure tap plug.
8. Energize the control system and open upstream manual gas valve.
9. After testing check all piping connections and plugs for external leakage.



- △ 1 CAN ALSO BE A PERMANENT PETCOCK.
- △ 2 PRV = PRESSURE REGULATING VALVE.
- △ 3 SSOV = SAFETY SHUTOFF VALVE.
- △ 4 USE ONLY ONE OF THE DOWNSTREAM TAPS ON THE SSOV.

The table below indicates the maximum number of bubbles in relation to the size and type of valve.

Manufacturer	Pipe size (in.)	Model	Maximum leakage rate (bubbles/10sec.)
Honeywell	1, 1 1/4	V4943, V8943	13
	1 1/2, 2	V4943, V8943	16
	3/4, 1, 1 1/4, 1 1/2	V5055, V5097	14
	2, 2 1/2, 3	V5055, V5097	24
ASCO	3/4	K3A551/651	6
	1	K3A551/651	6
	1 1/4	K3A551/651	7
	1 1/2	K3A551/651	9

OPERATIONAL CHECK

CALL A QUALIFIED SERVICE PERSON FOR SERVICE.

1. Turn on main and pilot valve up stream of manual firing shut-off valves and check for leaks on unit piping.
2. Check for leaking main and pilot valve seats by closing the manual firing valve and safety shut-off valve. Connect one end of a hose to the pressure tap between the manual firing valve and safety shut-off valve and submerge the other end in a cup of water. If bubbles appear, correct leak.
3. To start the blower, set the remote manual switches to the "on" position. Switch on the exhaust system to make the exhaust interlock. The damper should begin opening. When fully open, the damper blade will make an end switch that will start the blower. If the control system includes an auto bypass low limit, for convenience, the low limit can be jumpered out during start-up and adjustment of other controls. Remove the jumper when start-up is completed and check the low limit and bypass function.
4. To start the heat, open the pilot manual firing valve and turn on the heat switch on the remote panel. The pilot should attempt ignition. If an attempt at ignition is made and lockout occurs, reset the flame relay and visually check a second time to confirm that there is a pilot flame. If there is pilot flame for 8 seconds before flame ignition control lockout, a safety control in the flame sensing circuit is likely the problem. For example a lockout will occur if the air pressure switches are not made. Refer to separate trouble shooting guide for additional information. Also check spark rod and flame rod to see if the ceramic is wet, cracked or dirty as any one of these things can cause lockout. The gap on the spark rod is 3/32". If the unit has a Fireeye M SERIES II flame ignition control, a D.C. voltmeter micro ammeter is required to check the flame rod signal. A set of test jacks is provided in the flame ignition control for this test. The signal should be at least 10 VDC. If the signal is less than 10 VDC and a pilot flame is present, refer to the separate trouble shooting guide.
5. After achieving a pilot that burns constantly while the blower is running, check the main gas valves for operation while the main manual firing valve is **CLOSED**. Turn the heat switch off. The pilot will then go out. Place a pressure gauge between the automatic valve(s) and the manual firing valve. Switch on the burner. If the pilot comes on and proves properly, the main automatic valve should open and the gauge should register pressure. The pressure gauge may read negative at reduced inputs. If the main valve(s) do not open, check for a wiring error or a defective component.
6. Test for main flame ignition. With the main automatic valve open, manually open the firing valve from closed to open. Main burner ignition should take place approximately one quarter of a turn from closed to open.
7. Do not adjust the main pressure regulator. The firing rate has been factory set and should not require any adjustment. The air temperature rise should be as listed on the nameplate. If not, the air volume through the unit should be adjusted. This may be accomplished by adjusting the blower speed, by balancing dampers, or both. The air temperature rise and unit inlet gas pressure should be measured when the modulating valve is wide open.

The modulating valve can be made to stay wide open by turning the modulating temperature control up to its maximum setting and removing its sensing element from the air stream and exposing it to a cool temperature. If unit inlet gas pressure is less than minimum inlet pressure on the unit label, the unit may not have enough heat on the coldest (design ambient) days. With proper airflow the flame should be approximately 16" long and tipped with a reddish orange flame. If the flame is much longer and mostly yellow, or if the flame is much shorter and florescent blue only, check the separate trouble shooting guide for the necessary adjustments.

8. Confirm gas inlet pressure matches unit rating plate at high fire.
9. Perform a flame supervision check as follows: With the burner firing, close the main manual firing valve and the pilot firing valve. The automatic valves should close within 4 seconds and the flame ignition control should lock out within 10 to 15 seconds. To return to normal operation, reset the flame safeguard and open the manual valves.
10. Check for leaks on unit piping with unit firing.
11. Check the low limit (optional) by adjusting the setting above the discharge set point until the unit shuts down. The low limit will not shut the units down until the bypass timer contact has opened.
12. Return the low limit and temperature controller to their proper settings (see control settings).
13. The blower motor and particularly the belt, should be checked after the previous tests and adjustments have been completed. The belts have a tendency to stretch during the first few weeks of operation and may need to be adjusted. The amperage draw of the motor should be checked with an ammeter and should not exceed the rated amperage stated on the motor rating plate. Otherwise, the motor overload will lockout the motor.

If the installation has an exhaust fan, adjust the exhaust air to match the supply air within $\pm 10\%$.

CONTROL SETTINGS

The following settings of the adjustable controls are acceptable for most applications. Refer to unit function and wiring diagram for settings specific to your unit.

Single and two stage ductstat: 55 – 70°F (13 – 21°C).

Single, two stage and modulating space thermostat: 68 – 74°F (20 – 23°C).

Remote temperature selector: 60 – 70°F (16 – 21°C).

MAINTENANCE

Warning: This unit is connected to high voltages. Electrical shock or death could occur if instructions are not followed. This equipment contains moving parts that can start unexpectedly. Injury or death could occur if instructions are not followed. All work should be performed by a qualified technician. Always disconnect and lock out power before servicing. **DO NOT** bypass any interlock or safety switches under any circumstances.



Warning: Follow the cleaning instructions and recommended inspection schedule to reduce the risk of mold or other bacterial growth. Property damage or personal injury claims may result from mold or biological growth arising from improper installation, inadequate maintenance, or failure to inspect. Engineered Air has no responsibility for and makes no express or implied warranties regarding mold or bacterial growth or any other indoor air quality issues. If mold or biological growth is present, determine and fix the cause. Properly remove and dispose of the contamination. Properly clean and sanitize the affected area using only approved sanitizers suitable for HVAC equipment.



To provide a maintenance history, It is recommended that the owner have a maintenance file for each unit. **The following maintenance instructions are to be carried out each spring and fall or as otherwise indicated by qualified service personnel.**

Caution:



Label all wires prior to removal when servicing controls or critical components. Wiring errors can cause improper and dangerous operation.



Verify proper operation after servicing.

ELECTRICAL

1. Check all wiring for loose connections.
2. Check voltage at unit (while in operation).
3. Check amperage draw against unit rating plate.
4. Where possible, all contactors should be inspected to ensure that contacts are clean and are making good contact. If contacts are abnormally pitted or burned badly, replace contactor. Single phasing and motor burnouts can result from bad contacts.

BELT ADJUSTMENT

For maximum belt and bearing life, pulley alignment and belt tension must be properly maintained. Only replace with belts of the proper type and size.

NOTE: If belts are too tight or improperly aligned, the life expectancy of the motor(s), fan bearings and belt(s) are reduced.

Alignment: Pulleys must be aligned to within 1/16" per foot (1mm per 760mm) of span.

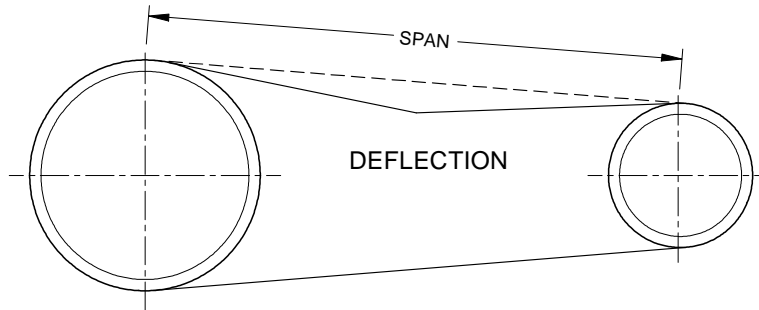
FOR FANS EQUIPPED WITH SPIDER BRACKETS:

A properly adjusted V-belt rides the inside of the pulley faces. Because the sides of the belt wedge in the pulleys, the V-belt does not have to be extremely tight. It should be as loose as possible without slipping in the pulley grooves.

Belt deflection: 3/4 " (19mm) for each foot (300mm) of span between the pulleys.

FOR FANS EQUIPPED WITH PILLOW BLOCK BEARINGS:

Belt Deflection: Allow 1/64" (0.4mm) of deflection for each 1" (25.4 mm) of span length.



⚠ CAUTION: Excessive belt tension is the most frequent cause of belt wear, bearing wear and noise.

SET SCREWS

Check set screws on fan wheel, fan bearings, fan and motor pulleys for looseness on the shaft. Tighten where required. IT IS IMPORTANT TO PERFORM THIS CHECK BEFORE INITIAL START-UP, AFTER A RUN-IN PERIOD OF 2 WEEKS AND THEN ON 4 MONTH INTERVALS.

⚠ CAUTION: OVERTIGHTENING SET SCREWS CAN DAMAGE BEARINGS.

BEARING SETSCREW TORQUES

TABLE I

Shaft diameter	NTN	KOYO	NTN	KOYO	DODGE
Type	UC SERIES (set screw)		UK SERIES (adapter sleeve locknut)		SC 203-215 SERIES
3/4" (19mm)	35 in-lb (3.9 Nm)	35 in-lb (4.0 Nm)	Install the washer and lock nut; tighten the nut fully by hand. Apply a punch or screw driver into the notch of the nut and tap it with a hammer. Stop tapping after the nut has turned 60° to 90°. Do not strike the seal. Bend the tab on the rim of the washer, which is in line with the notch of the nut. If a tab does not line up with a notch, tighten the nut further. DO NOT BACK THE NUT OFF.	66 - 80 in-lb (7.5 - 9 Nm)	
1" (25mm)	35 in-lb (3.9 Nm)	35 in-lb (4.0 Nm)		126 - 156 in-lb (14 -18 Nm)	
1 3/16" (30mm)	43 in-lb (4.9 Nm)	35 in-lb (4.0 Nm)		126 - 156 in-lb (14 -18 Nm)	
1 7/16" (37mm)	51 in-lb (5.8 Nm)	75 in-lb (8.5 Nm)		126 - 156 in-lb (14 -18 Nm)	
1 11/16" (43mm)	69 in-lb (7.8 Nm)	75 in-lb (8.5 Nm)		228 - 272 in-lb (26 -31 Nm)	
1 15/16" (49mm)	69 in-lb (7.8 Nm)	155 in-lb (17.5 Nm)		228 - 272 in-lb (26 -31 Nm)	
2 3/16" (56mm)	87 in-lb (9.8 Nm)	155 in-lb (17.5 Nm)		228 - 272 in-lb (26 -31 Nm)	
2 7/16" (62mm)	147 in-lb (16.6 Nm)	155 in-lb (17.5 Nm)		228 - 272 in-lb (26 -31 Nm)	
2 11/16" (68mm)	173 in-lb (19.6 Nm)	248 in-lb (28.0 Nm)		228 - 272 in-lb (26 -31 Nm)	
2 15/16" (75mm)	173 in-lb (19.6 Nm)	248 in-lb (28.0 Nm)		228 - 272 in-lb (26 -31 Nm)	

Refer to bearing manufacturers' literature for all other types of bearings.

LUBRICATION OF FAN BEARINGS

Some fans have permanently lubricated sealed ball bearings which should not require lubrication. These bearings are factory packed 30 to 50% full. **Bearings that require lubrication should be greased while the bearing is rotating slowly, with the following quantities of a lithium base lubricant. DO NOT OVERGREASE. DO NOT USE NON-LITHIUM BASED GREASE.**

Extended lubrication lines may be provided. Tubing is not factory filled.

RECOMMENDATIONS FOR BALL BEARINGS

Bearing Temperature ° F (°C)	Re-Greasing Interval		
	Clean	Dusty	Dusty & Wet
Under 120 (50)	2 ½ Years	Yearly	4 Months
Under 158 (70)	Yearly	4 Months	1 Month

Shaft Dia.	3/4" (19mm)	1" (25mm)	1 3/16" (30mm)	1 7/16" (37mm)	1 11/16" (43mm)	1 15/16" (49mm)	2 7/16" (62mm)	2 15/16" (75mm)
Grease	0.06 oz. (1.8g)	0.12 oz. (3.3g)	0.20 oz. (5.6g)	0.23 oz. (6.5g)	0.27 oz. (7.7g)	0.36 oz. (10.3g)	0.53 oz. (14.9g)	1.00 oz. (31.0g)

For additional information refer to the fan and/or bearing manufacturers' literature.

LUBRICATION OF DODGE FAN BEARINGS

Suggested Re-lubrication Schedule (Months)* for Dodge Ball Bearing Pillow Block

Speed (RPM)	500	1000	1500	2000	2500	3000	3500	4000	4500
Shaft DIA.									
1/2" - 1 1/16"	6	6	5	3	3	2	2	2	1
1 15/16" - 2 7/16"	6	5	4	2	2	1	1	1	1
2 11/16" - 2 5/16"	5	4	3	2	1	1	1		
3 7/16" - 3 15/16"	4	3	2	1	1				

* Suggested initial greasing interval. . If safety permits, re-lubricate while running until some purging occurs at seals. Adjust lubrication frequency depending on condition of purged grease. Hours of operation, temperature and surrounding conditions will affect the re-lubrication frequency required. For 24 hour operation double the lubrication frequency.

Lubricate with a multipurpose NLGI No. 2 or No. 3 ball bearing grease having rust inhibitors, antioxidant additives and a minimum viscosity of 500 SSU at 100°F (38°C). Some examples of grease having these properties are:

- Shell Alvania RL 2
- Mobil Mobilith SHC220
- Exxon Ronex MP

Lubricate bearings prior to extended shutdown or storage and rotate shaft monthly to aid corrosion protection.

Suggested Re-lubrication Schedule (Months)* for Dodge Spherical Roller Bearing - Solid Pillow Block

Speed (RPM)	500	1000	1500	2000	2500	3000	3500	4000	4500
Shaft DIA.									
1 3/16" - 1 7/16"	6	4	4	2	1	1	1	1	1/2
1 11/16" - 2 3/16"	4	2	1 1/2	1	1/2	1/2	1/2	1/2	1/2
2 7/16" - 3 7/16"	3	1 1/2	1	1/2	1/2	1/4	1/4		
3 15/16" - 4 15/16"	2 1/2	1	1/2	1/4					

* Suggested initial greasing interval. If safety permits, re-lubricate while running until some purging occurs at seals. Adjust lubrication frequency depending on condition of purged grease. Hours of operation, temperature and surrounding conditions will affect the re-lubrication frequency required. For 24 hour operation double the lubrication frequency.

Lubricate with a multipurpose roller bearing NLGI No. 2 having rust inhibitors and antioxidant additives, and a minimum oil viscosity of 500 SSU at 100°F. Some examples of grease having these properties are:

Shell Alvania No. 2
 Mobil Mobilith AW2
 Mobilith SHC100
 Texaco Premium RB2
 American Rykon Premium 2

Lubricate bearings prior to extended shutdown or storage and rotate shaft monthly to aid corrosion protection.

Suggested Re-lubrication Schedule (Months)* for Dodge Spherical Roller Bearing – Split Pillow Blocks

Speed (RPM)	500	750	1000	1500	2000	2500	3000	3500	4000	** oz.
Shaft DIA.										
1 ⁷ / ₁₆ " – 1 ¹⁵ / ₁₆ "	6	4 ¹ / ₂	4	4	3 ¹ / ₂	2 ¹ / ₂	2 ¹ / ₂	1	1	0.05
2 ³ / ₁₆ " – 2 ¹¹ / ₁₆ "	5	4 ¹ / ₂	4	2 ¹ / ₂	2 ¹ / ₂	1 ¹ / ₂	¹ / ₂	¹ / ₄	¹ / ₄	0.75
2 ¹⁵ / ₁₆ " – 3 ¹⁵ / ₁₆ "	4 ¹ / ₂	4	3 ¹ / ₂	2 ¹ / ₂	1 ¹ / ₂	1	¹ / ₂			2.00
4 ⁷ / ₁₆ " – 4 ¹⁵ / ₁₆ "	4	4	2 ¹ / ₂	1	¹ / ₂					4.00
5 ⁷ / ₁₆ " – 5 ¹⁵ / ₁₆ "	4	2 ¹ / ₂	1 ¹ / ₂	1						7.00

* Suggested initial greasing interval. Remove bearing cap and observe condition of used grease. Adjust lubrication frequency as needed. Hours of operation, temperature and surrounding conditions will affect the re-lubrication frequency required. Clean and repack bearing annually. Remove old grease, pack bearing full and fill housing reservoirs on both sides of bearing to bottom of shaft. For 24 hour operation double the lubrication frequency.

** Grease to be added at each interval.

Lubricate with a multipurpose roller bearing NLGI No. 2 having rust inhibitors and antioxidant additives, and a minimum oil viscosity of 500 SSU at 100°F. Some examples of grease having these properties are:

Shell Alvania No. 2
 Mobil Mobilith AW2
 Mobilith SHC100
 Texaco Premium RB2
 American Rykon Premium 2

Lubricate bearings prior to extended shutdown or storage and rotate shaft monthly to aid corrosion protection.

Static Oil Lubrication

Use only highest quality mineral oil with a minimum viscosity of 100 SSU at the oil's operating temperature. The oil's operating temperature is approximately 10°F greater than the bearing's housing. SAE values having this viscosity at the following operating temperature are:

150° - SAE 20 160° - SAE 30 180° - SAE 40

Static oil level should be at the center of the lower-most roller (do not overfill).

Complete lubrication change should be made annually.

MOTOR LUBRICATION

Refer to motor manufacturer for lubrication recommendations.

On motors having grease drain plugs, remove the plugs and operate the motor for 15 minutes before replacing plugs. **DO NOT OVER GREASE.**

RECOMMENDED MOTOR LUBRICATION INTERVALS

Hours Service Per Day	Up to 7.5 HP Up to 5.6 kW	10 to 40 HP 7.5 to 29.8 kW	Over 40 HP Over 29.8 kW
Less than 12	5 Years	3 Years	1.5 Years
More than 12	2 Years	1 Year	9 Months

NOTE: Motors that run in severe conditions should be greased as specified by the motor manufacturer.

GAS MANIFOLD

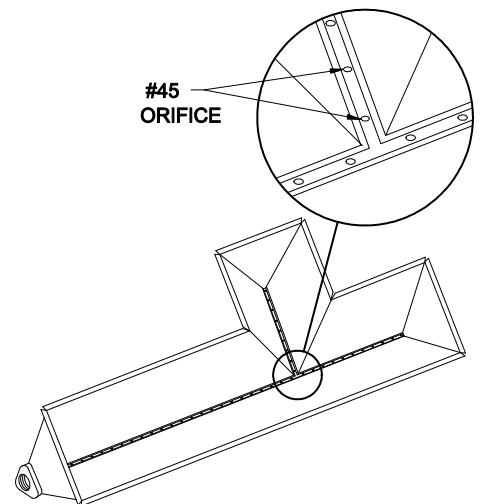
It is recommended that at least once each year the safety devices should be checked. Follow operational check as detailed in this manual.

The Safety Shut Off Valves must be tested on at least an annual basis or as per the manufacturer's recommendations whichever is less.

Regulators with vent terminals must have yearly cleaning of the screen.

BURNERS

It is recommended that the burner be inspected once each year. Remove any scale that may have accumulated on the burner plates. Ensure that the holes on the burner plates and gas orifices are completely clear of foreign material. The first 2 orifices on the tee casting as shown are #45, all other casting orifices are #42.



DESICCANT WHEEL

Review the maintenance requirements, if any, in the desiccant wheel manual provided under separate cover.

FILTERS

Filter-changing intervals can be based on the pressure drop across the filter or by calendar scheduling or visual inspection. Scheduled intervals should be between one and six months, depending on the pollutant loading from indoor and outdoor air. More-frequent changes may be required during the economizer season.

Units that operate with high levels of outside air should have filters removed (or moved to winter filter location if available) during the winter months in areas that have heavy frost or snow.

Plugged or excessively dirty filters can cause damage to the equipment. See submittal record for filter quantities, sizes and types. Use same size and type for replacement.

- A. High Velocity Permanent:
It is important that the filters be checked and cleaned regularly during the period immediately following installation, in order to determine the best service interval. To clean, rinse with water. Shake off excess water and re-install. These filters do not require an oil adhesive.
- B. Pleated Throwaway and/or Replaceable Media (Cartridge, Bag):
Replacement filters can be obtained from any Engineered Air representative.

In some applications the used filters/media may contain chemical or biological hazards. All local, regional and national regulations for safety and disposal should always be followed.

CONTROLS

Annually clean and recalibrate all controls, check for proper operation, and repair or replace any faulty controls. Check all damper hardware settings every three months. Replace blown fuses with equivalent size and type fuse. Failure to do so can result in damage to the unit.

CONTROL ENCLOSURE VENTILATION

Control enclosures are often ventilated in summer to provide component cooling. A manually adjustable slide damper is provided for adjustment and seasonal shut off. The slide damper should be closed for winter operation and opened for summer operation.

OUTDOOR AIR INTAKES, MIXING SECTIONS AND DAMPERS

Outdoor air intakes, screens, and adjacent areas shall be checked semi-annually for cleanliness, integrity and proper operation. Adjust dampers where required.

COILS

Inspect coils and drain pans for cleanliness and biological growth once per year during the cooling season or more often as required.

Warning:

Dirty coils can be a cause of poor air quality. Failure to maintain clean coils can cause injury or death, damage to the equipment, property damage or system operational problems. Moisture carry over can result from dirty coils.

The external surface of finned coils can be cleaned using a low pressure water spray and a brush. Coil fins are easily damaged. Do not use high pressure steam or water to clean coils; it will permanently damage the coil. When using cleaning additives or solutions they must be compatible with the coil materials or coatings. Use a fin comb to straighten any damaged or bent fins.

Coil Winterization:

Water coils that are not in use must be protected from freezing. Coils should be drained and blown out with compressed air and then filled and drained several times with appropriate strength pre-mixed inhibited HVAC glycol or other suitable fluid. Do not use propylene glycol with CPVC piping.

